



CommandCenter Secure Gateway Overview

Congratulations on your purchase of CommandCenter Secure Gateway (CC-SG) V1 unit, Raritan's management software platform engineered to consolidate secure access and control of IT devices. This document provides instructions for getting your CC-SG up and running in a minimal amount of time. Prior to installing a CC-SG, you should prepare the devices that will be managed by CC-SG. Please refer to the **CommandCenter Secure Gateway Setup Guide** or **Raritan Digital Solution Deployment Guide** for instructions.

I. Unpack CC-SG

With your shipment, you should receive:

- (1) CommandCenter Secure Gateway unit
- (1) Rack mount kit
- (2) Power supply cord
- (1) CAT 5 network cable
- (1) Printed Quick Setup Guide (this document),
- (1) Raritan User Documentation CD-ROM
- Registration and Warranty papers

Technical Support

Please contact Raritan U.S. at 800.724.8090 between 8:00 AM and 8:00 PM EST or call your local Raritan office if you do not receive all items listed here.

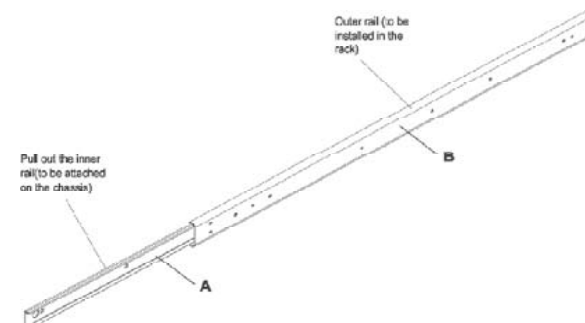
Determine Rack Location

Decide on a suitable location in the rack for CC-SG, which should be in a clean, dust-free area that is well ventilated. Avoid areas where heat, electrical noise, and electromagnetic fields are generated and place it near a grounded power outlet.

II. Rack-mount CC-SG

Identifying Rail Sections

Your rack mount kit contains two rack rail assemblies. Each assembly consists of two sections: an inner fixed chassis rail (A) that secures to the unit and an outer fixed rack rail (B) that secures to the rail brackets. A sliding rail guide sandwiched between the two should remain attached to the fixed rack rail. The A and B rails must be detached from each other for installation.



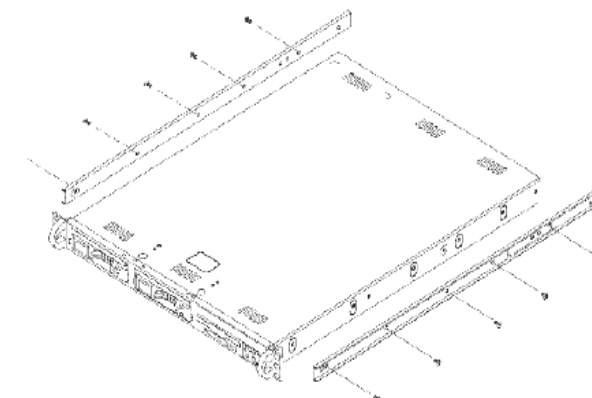
To remove the fixed chassis rail (A), pull it out as far as possible until you hear a clicking sound when a locking tab emerges from inside the rail assembly and locks the inner rail. Depress the locking tab to pull the inner rail completely out. Do this for both the left and right side rack rail assemblies.

Installing the Chassis Rails

1. Position the fixed chassis rail sections you just removed along the side of the chassis; ensure the five screw holes line up.

Note: These two rails are left/right specific.

2. Screw the rail securely to the side of the chassis.



3. Repeat steps 1 and 2 for the other rail on the other side of the chassis. Attach rail brackets if installing into a Telco rack.

Locking Tabs

Both chassis rails have a locking tab that serves two functions:

- To lock CC-SG into place when installed and pushed fully into the rack (normal operating position)
- To lock CC-SG in place when extended from the rack, preventing the unit from falling out of the rack when pulled out for servicing.

Installing Rack Rails

1. Determine where you want the CC-SG belongs in the rack.
2. Position the fixed rack rail/sliding rail guide assemblies at the desired location in the rack, keeping the sliding rail guide facing the inside of the rack.
3. Screw the assembly securely to the rack using the brackets provided.

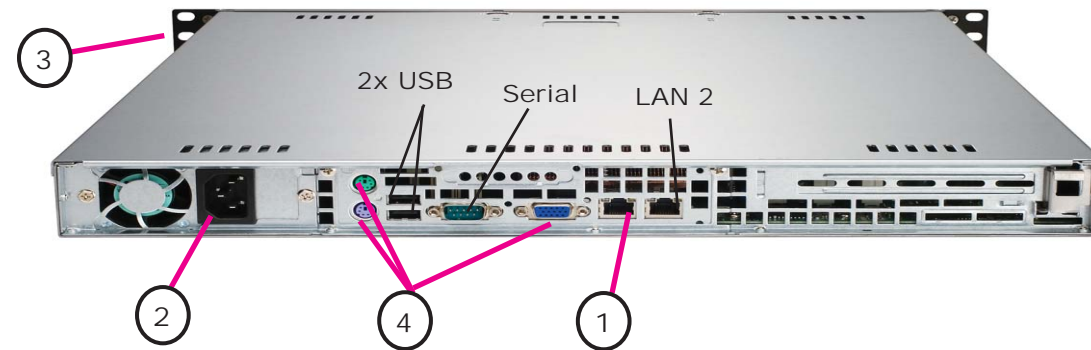
4. Attach the other assembly to the other side of the rack, making sure that both are at the exact same height and with the rail guides facing inward. Ideally, two people should work on this together.

Installing CC-SG into the Rack

Once the rails are attached to both the chassis and the rack, install CC-SG into the rack.

1. Line up the rear of the chassis rails with the front of the rack rails.
2. Slide the chassis rails into the rack rails, keeping the pressure even on both sides (you may have to depress the locking tabs when inserting). When CC-SG has been pushed completely into the rack, you should hear the locking tabs click.

III. Connect Cables and Set CC-SG IP Address



Default CC-SG Settings:

- IP Address: 192.168.0.192
- Subnet Mask: 255.255.255.0
- Username/Password: admin/raritan

1. Connect the network LAN cable to the LAN 1 port on the rear panel of the CC-SG unit. Connect other end of cable to the network.
2. Attach the included AC power cord to the port on rear panel of the CC-SG unit. Plug the other end of the cord into an AC power outlet.
3. Power ON CC-SG by popping off front bezel and pressing the POWER button.

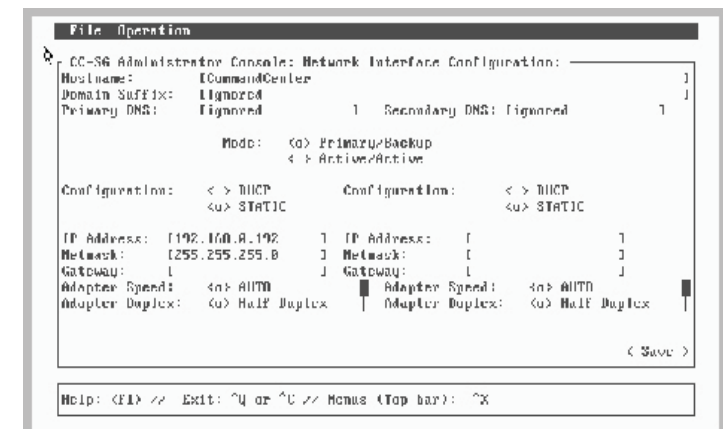
Note: To power OFF CC-SG, firmly tap the POWER button and wait for approximately one minute while CC-SG powers down.

4. Connect your KVM cables to the corresponding ports on the rear panel of the CC-SG unit. When you see the login prompt on the video output, log in as **admin/raritan** and type **CTRL+X**. Usernames and passwords are case-sensitive.

5. On the **Operation** menu, click **Network Interfaces** and then select **Network Interface Config**.



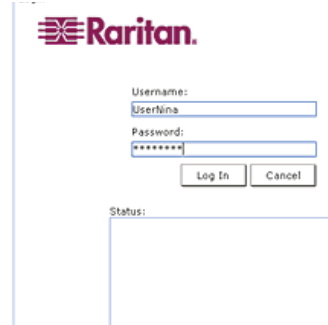
6. In the **Configuration** field, select **DHCP** or **Static**. If you select **Static**, type a static IP address. If needed, specify DNS servers, netmask, and gateway address.



Select **Save**. Please wait a few minutes as CC-SG restarts.

IV. Log onto CC-SG

1. Once CC-SG has started, use a supported Internet browser and type the URL of the CC-SG: `http://<IP address>/admin` (for example, `http://10.0.3.30/admin`).
2. When the security alert window appears, click Yes.
3. You will be warned if you are using an unsupported Java Runtime Environment version on your machine.



4. The Login window appears. Log onto CC-SG with the default login name and password (**admin/raritan**).

Please refer to the **CommandCenter Secure Gateway Administration Guide** for additional information.